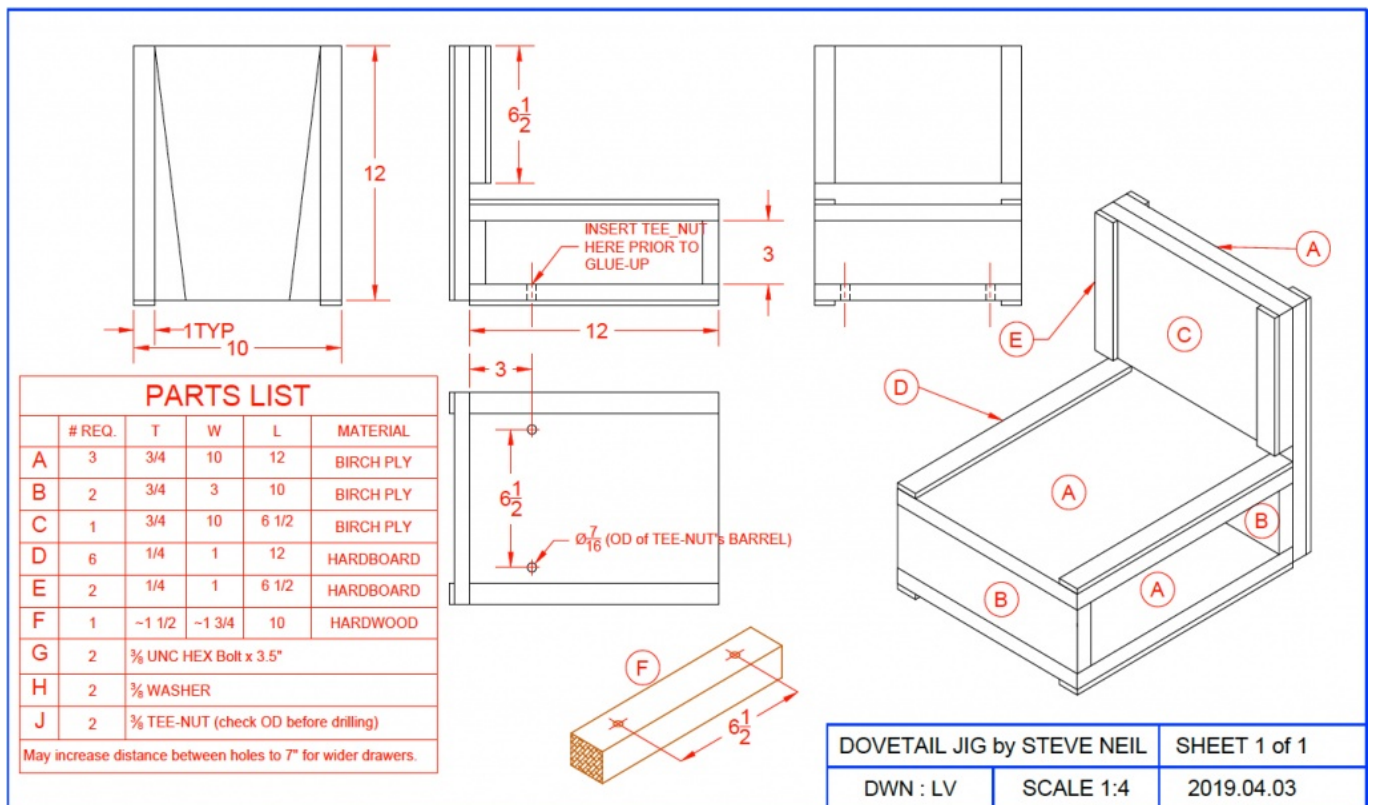


dovetail jig dimensions



CAD drawing by Larry Vliet

Set your printer to **"landscape"** to get a better diagram

[printfriendly]